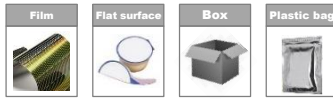




## Spider Vacuum Speeder\_SC series



### Suitable for handling

### Features & Strengths

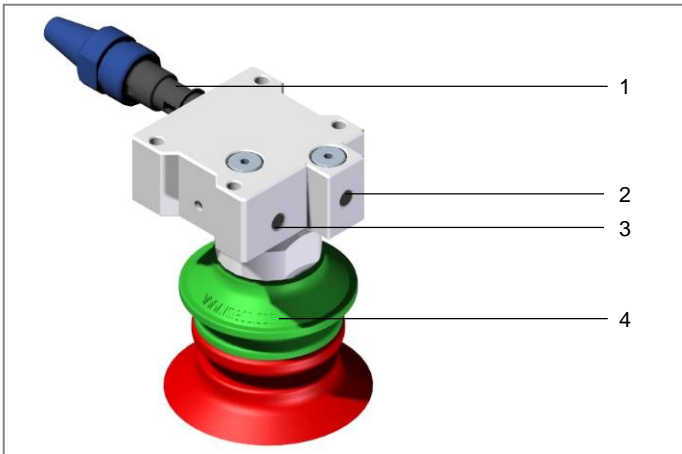
- ▶ Integrated VMECA cartridge pump – Multi stage
- ▶ Compact size & light weight
- ▶ Low air consumption & Quick response time
- ▶ Durable and strong aluminum body



Excellent performance for handling very thin and flexible plastic bag

### Products Structure

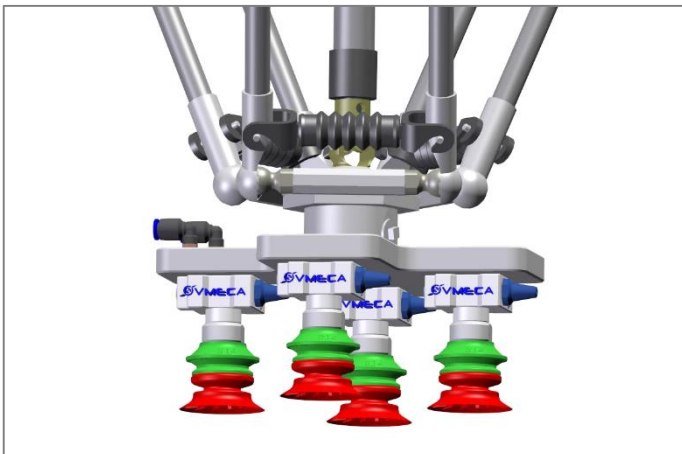
- ▶ [VMECA cartridge pump - Multi-stage<sup>1\)</sup>](#) integrated
- ▶ Compressed [air port<sup>1\)</sup>](#) & [vacuum release port<sup>2\)</sup>](#)
- ▶ Combination with [VMECA Magic suction cup<sup>4\)</sup>](#)



Products Structure of New Speeder – SC series

### Applications

- ▶ Carton Box
- ▶ Thin and flexible plastic bag
- ▶ Flat surface product
- ▶ Thin film
- ▶ Limited space application for installation



VMECA New speeder – SC series being used in Packaging Industry



## Spider Vacuum Speeder\_SC series

### Designation Ordering No.

Model	Code	Model	Code
SC202P-C	5301 1000 000 000	SC203P-C	5301 1100 000 000

### Spare part Ordering data for Cartridge pump

Model	Code	Model	Code
VC202	1832 0200 000	VC203	1832 0300 000

### Spare part Ordering data for Cartridge Plug

Model	Code	Model	Code
VCP202PS2	130 588	VCP203PS2	130 587

### Performance Data

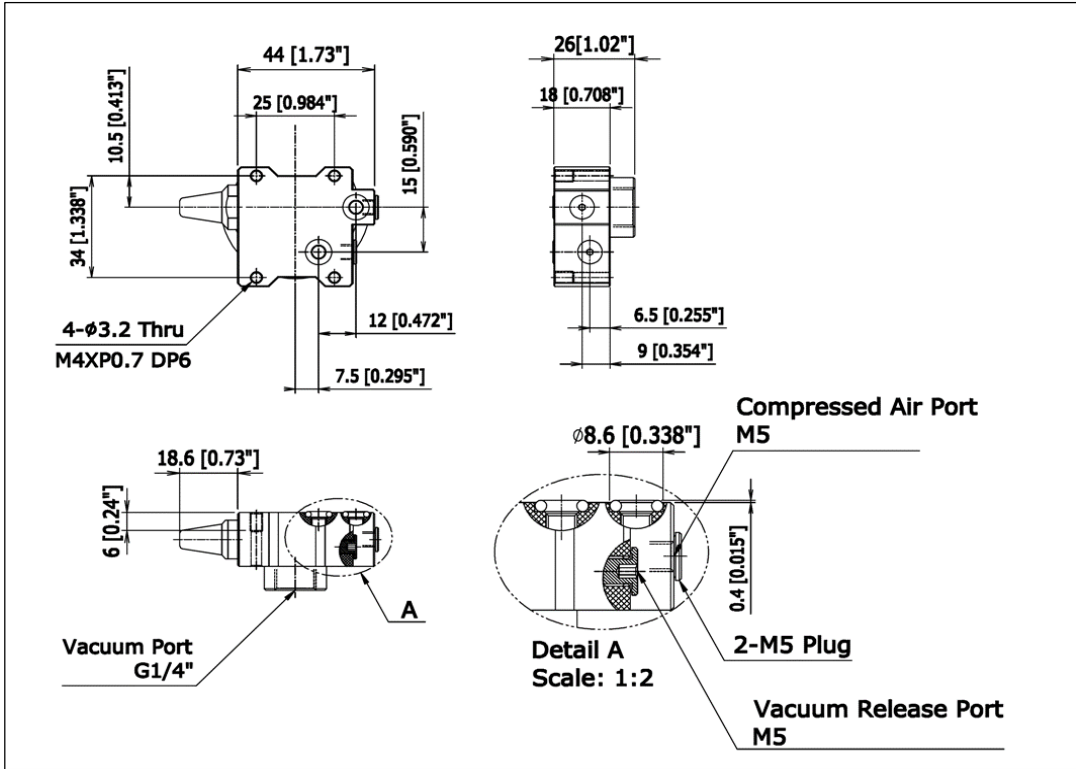
Model	Max. Vacuum Level (-kPa)	Feed pressure (MPa)	Air Consumption	Working Temperature	Noise Level	Net weight (g)
SC202P-C	-90 kPa	2~4 bar	32 NI/min at 4bar	-20°C ~ 80 °C	59 ~ 65 dBA	80
SC203P-C	-90 kPa	2~4 bar	32 NI/min at 4bar	-20°C ~ 80 °C	59 ~ 68 dBA	85



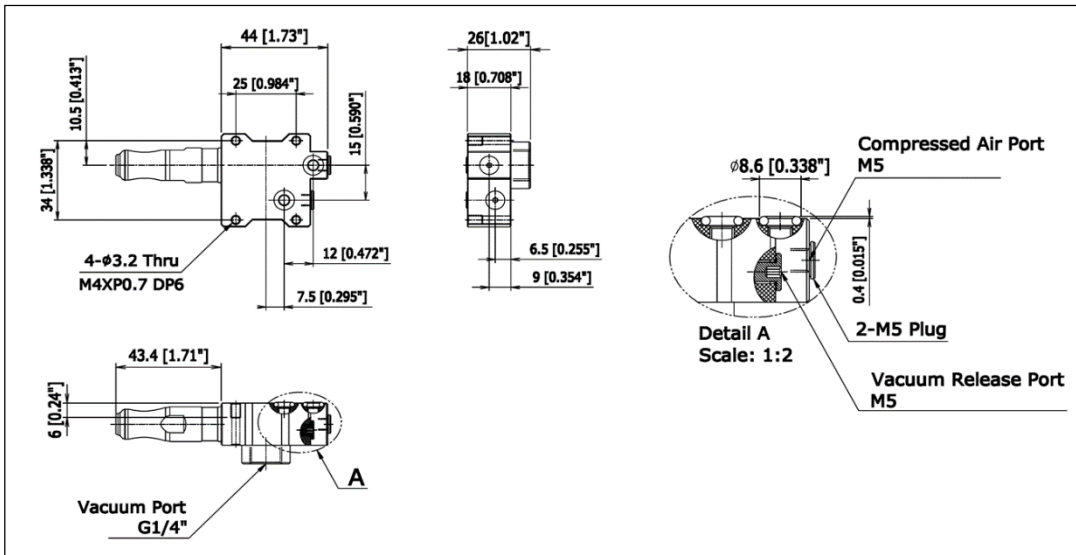
## Spider Vacuum Speeder\_SC series

### Dimensional Data

#### SC202P-C



#### SC203P-C



[Measure unit : mm[in]]