

VBU Series (Bellows & Universal)

Feature and strengths

- Particularly good for use on curved surface and for separating thin sheets of materials in stacks.
- The bellows cup is very good at compensating for a degree of difference in level and curvature of the work piece, more angular and level compensation can be achieved by using other **VMECA** cup
- Enhancing the adhesion to the surface



Suitable for handling

- Concaved surface
- Sheet metal
- Carton box
- Plastic pack
- Plywood



Order No.

VBU45 PU - 18F



① Suction cup Ø

VBU35	- Ø35
• VBU45	- Ø45
VBU55	- Ø55

② Material

N	- NBR	NEW
S	- Silicon	NEW
WS	- White Silicon	NEW
• PU	- Poly Urethane	
	WPU - White Poly Urethane	

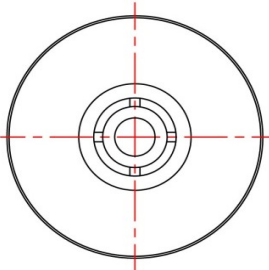
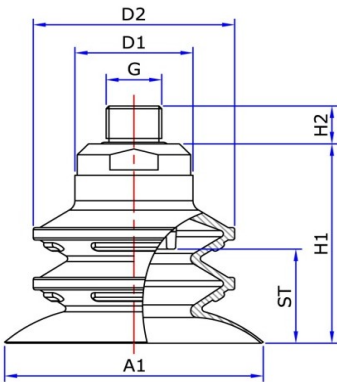
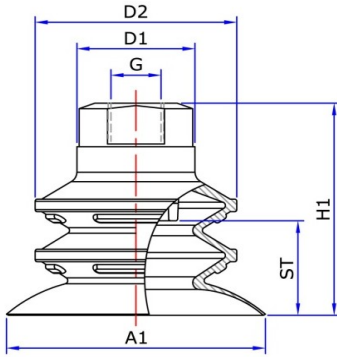
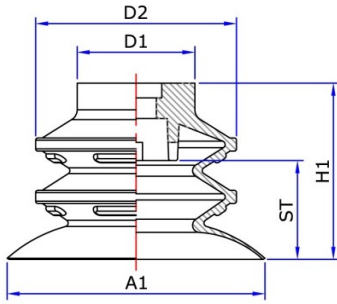
③ Thread size

18M	- G1/8" Male (VBX 35, VBX45)
• 18F	- G1/8" female (VBX 35, VBX45, VBX55)
14M	- G1/4" Male (VBX 35, VBX45, VBX55)
38M	- G3/8" Male (VBX 35, VBX45, VBX55)
N18M	- NPT 1/8" Male (VBX 35, VBX45)
NF18F	- NPSF 1/8" female (VBX 35, VBX45, VBX55)
N14M	- NPT 1/4" Male (VBX 35, VBX45, VBX55)
N38M	- NPT 3/8" Male (VBX 35, VBX45, VBX55)
M10M	- M10xP1.5 male (VBX 35, VBX45, VBX55)

Technical Data

Model	Volume (cm ³)	Perpendicular lifting force (kg) at vacuum level		
		-20 kPa	-60 kPa	-90 kPa
VBU 35	6.2	2.26	4.28	5.75
VBU 45	12.5	4.08	7.3	10
VBU 55	28	7.5	9.8	12.05

SUCTION CUPS



Model	A1	H1	ST	D1	D2
VBU35	35.5	24.5	12	20.5	27.5
VBU45	45.5	32	16	20.5	35.5
VBU55	56	38	20	27	46.5

[Measure Unit : mm]

Model	A1	G	H1	ST	D1	D2
VBU35 .. - 18F	35.5	G1/8" female	31.5	12	20.5	27.5
VBU35 .. - NF18F		NPSF 1/8" female	31.5			
VBU45 .. - 18F	45.5	G1/8" female	40	16	20.5	35.5
VBU45 .. - NF18F		NPSF 1/8" female	40			
VBU55 .. - 18F	56	G1/8" female	46	20	27	46.5
VBU55 .. - NF18F		NPSF 1/8" female	46			

[Measure Unit : mm]

Model	A1	G	H1	H2	ST	D1	D2
VBU35.. - 18M	35.5	G1/8" Male	29.3	7	12	20.5	27.5
VBU35.. - 14M		G1/4" Male	29.3	9		20.5	
VBU35.. - 38M		G3/8" Male	31	9.5		21.5	
VBU35.. - N18M		NPT 1/8" Male	29.3	7		20.5	
VBU35.. - N14M		NPT 1/4" Male	29.3	9		20.5	
VBU35.. - N38M		NPT 3/8" Male	31	9.5		21.5	
VBU35.. - M10M	M10XP1.5 Male	31.5	13	20.5			
VBU45.. - 18M	45.5	G1/8" Male	37.8	7	16	20.5	35.5
VBU45.. - 14M		G1/4" Male	37.8	9		20.5	
VBU45.. - 38M		G3/8" Male	39.5	9.5		21.5	
VBU45.. - N18M		NPT 1/8" Male	37.8	7		20.5	
VBU45.. - N14M		NPT 1/4" Male	37.8	9		20.5	
VBU45.. - N38M		NPT 3/8" Male	39.5	9.5		21.5	
VBU45.. - M10M	M10XP1.5 Male	40	13	20.5			
VBU55.. - 14M	56	G1/4" Male	46	9	20	27	46.5
VBU55.. - 38M		G3/8" Male	46	10			
VBU55.. - N14M		NPT 1/4" Male	46	9			
VBU55.. - N38M		NPT 3/8" Male	46	10			
VBU55.. - M10M		M10XP1.5 Male	46	13			

[Measure Unit : mm]